

Beam Analyzer

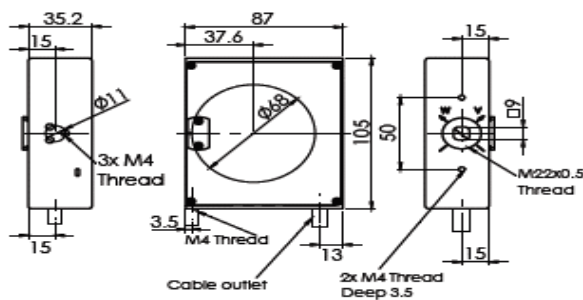
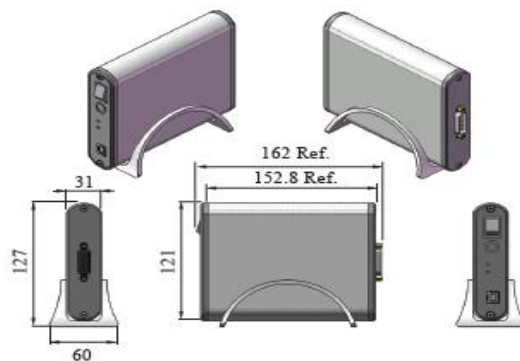


- Industry's leading knife-edge system
- Unique tomographic image reconstruction
- Beam measurements down to 3 microns and up to 9 mm
- Accurately measures profile, position and power
- Multiple detectors versions are available, covering wavelengths from deep UV to 2.7 microns

Specifications

Laser Type	CW
Beam width resolution	For beams > 100 µm in size: 1 µm. For beams <100 µm in size: 0.1 µm
Beam Size	3µm-5mm for BA3-Si and BA3-UV 15µm-10mm for BA7-Si and BA7-UV (Oval) 15µm-9mm for BA7-Si and BA7-UV (Round) 3µm-3mm for BA3-IR3 and BA3-IR3-E 15µm-3mm for BA7-IR3 and BA7-IR3-E 3µm-5mm for BA3-IR5 15µm-5mm for BA7-IR5
Spectral Response	Si 350-1100nm UV-Si 190-1100nm IR 800-1800nm IR Enhanced (E) 1200-2700nm
Sensor Active Area (mm)	∅3-∅10 depending on version
Number of Blades	3 for BA3 heads, 7 for BA7 heads
Gain Control	Automatic
Frame Rate	5 fps
Power Range	10 µW to 5 mW (no filters)
Sensor type	Silicon (Si), UV-Silicon (UV-Si) InGaAs (IR) or IR Enhanced (IRE)
Beam width accuracy	±2%
Power accuracy	±10%
Position resolution	1 µm
Pixel Size	Adaptive according to beam size
Pixel Bit Depth	12 bits
Background Subtraction	Automatic

Accessories	SAM3-B Beam Sampler: with mounting adapter. Sampling reduction factor 0.0016 average BA-Fiber: A fiber adapter with an FC connector
Power Requirements	~2.5 Watt (Via USB 2.0 interface)
Dimensions (L x W x H) in mm	105 x 87 x 35 (Head)
Weight (typical)	Sensor head with cable - 755 gr, manifold box 350 gr
Min. Hardware Requirements	CPU i3 1.6 GHz, 4 GB RAM
Interface	USB 2.0, Windows 7/8/10 (32 & 64 bit)
Operating Temperature	0° – 35° C



Ordering Information

NG4 and NG9 filters in housing are provided for the Si and UV-Si heads only.

- BA3-Si-USB:** 3-blades, Si detector 5mm circular
- BA7-Si-USB:** 7-blades, Si detector 9mm square
- BA3-UV-USB:** 3-blades, UV-Si detector 5mm circular
- BA7-UV-USB:** 7-blades, UV-Si detector 9mm circular
- BA3-IR3-USB:** 3-blades, InGaAs detector 3mm circular
- BA3-IR3E-USB:** 3-blades, InGaAs Enhanced 3mm circular
- BA7-IR3-USB:** 7-blades, InGaAs detector 3mm circular
- BA7-IR3E-USB:** 7-blades, InGaAs Enhanced 3mm circular
- BA3-IR5-USB:** 3-blades, InGaAs detector 5mm circular
- BA7-IR5-USB:** 7-blades, InGaAs detector 5mm circular

DUMA OPTRONICS LTD.