



# AngleMeter LA

## Monitoring Laser Beam Deviations



- Analyzes angular directions ( $\theta_x \theta_y$ ) of collimated beams
- Versatile – Measures Power and Angular incoming direction
- Optional: Complete test station with built-in Pan & Tilt Mechanics
- Extremely accurate
- Monitoring of moving optical devices, such as gimballed cameras and seekers
- Two versions: Wide Field of View 25 mm Focal Length & 50 mm Focal Length

### Specifications

	PSD9 USB Analog lens 50 mm	PSD9 USB Analog lens 25 mm
<b>Measurement range</b>	180 x 180 mRad	360 x 360 mRad
<b>Aperture</b>	27 mm	17 mm
<b>Sensor size (mm)</b>	9 x 9 PSD	9 x 9 PSD
<b>Angle resolution</b>	30 $\mu$ Rad	75 $\mu$ Rad
<b>Absolute angle accuracy</b>	0.50%	0.50%
<b>Power accuracy</b>	$\pm$ 5%	$\pm$ 5%
<b>Update rate</b>	Analog - 30 kHz, Digital - 40 Hz, Burs - 4 kHz	30 kHz
<b>Response time</b>	> 60 $\mu$ sec	> 60 $\mu$ sec

<b>Wavelength</b>	select: 350-750 nm, 750-1100 nm
<b>Power supply voltage</b>	$\pm$ 18V
<b>Current consumption</b>	$\pm$ 200 mA
<b>Laser Input Power Range</b>	10 - 2500 $\mu$ W
<b>Output range</b>	Analog $\pm$ 5V
<b>Interface</b>	USB 2.0 & Analog
<b>Filter Size</b>	55 mm

### Ordering Information

**PSD-USB-25 f1.4:** The system consists of a sensor head with attached cable & ND-4 Filter (Optical Standard M55), an electronic box, a stabilized power supply, a software on a CD and a carrying case.

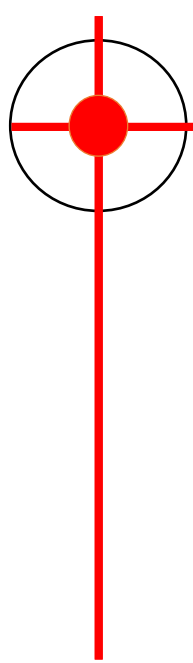
**PSD-USB-50 f1.8:** The system consists of a sensor head with attached cable & ND-4 Filter (Optical Standard M55), an electronic box, a stabilized power supply, a software on a CD and a carrying case.

**Pan & Tilt Table:** Optional Accessory – Adjusting mechanics Tilt  $\pm$ 2° Pan  $\pm$ 2.5° (148 x 92 x 35 mm, 1.6 kg)

**Holding Ring:** Optional Accessory

## DUMA OPTRONICS LTD.

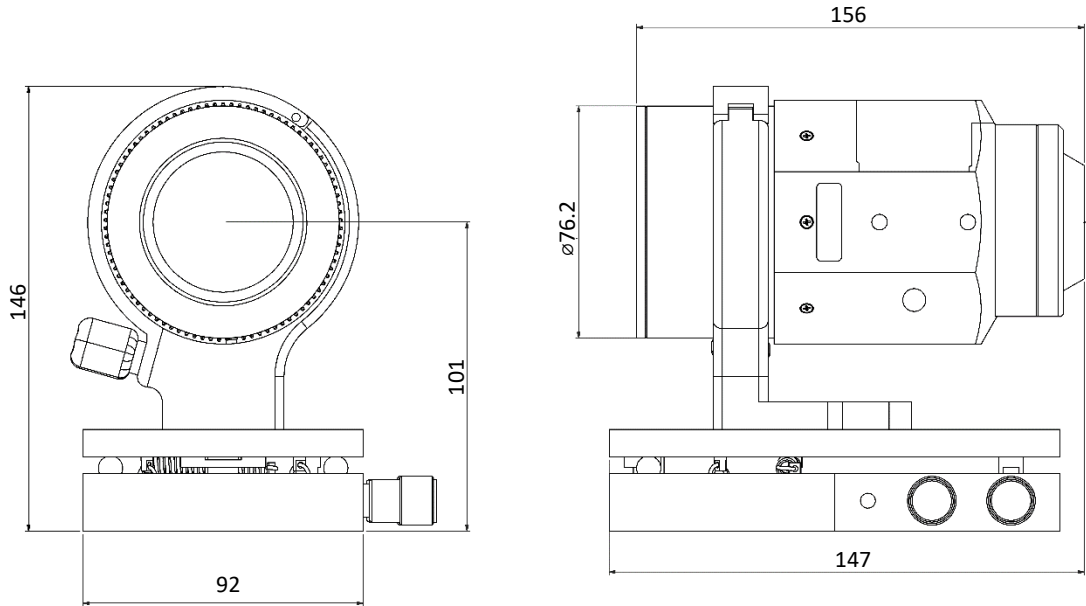




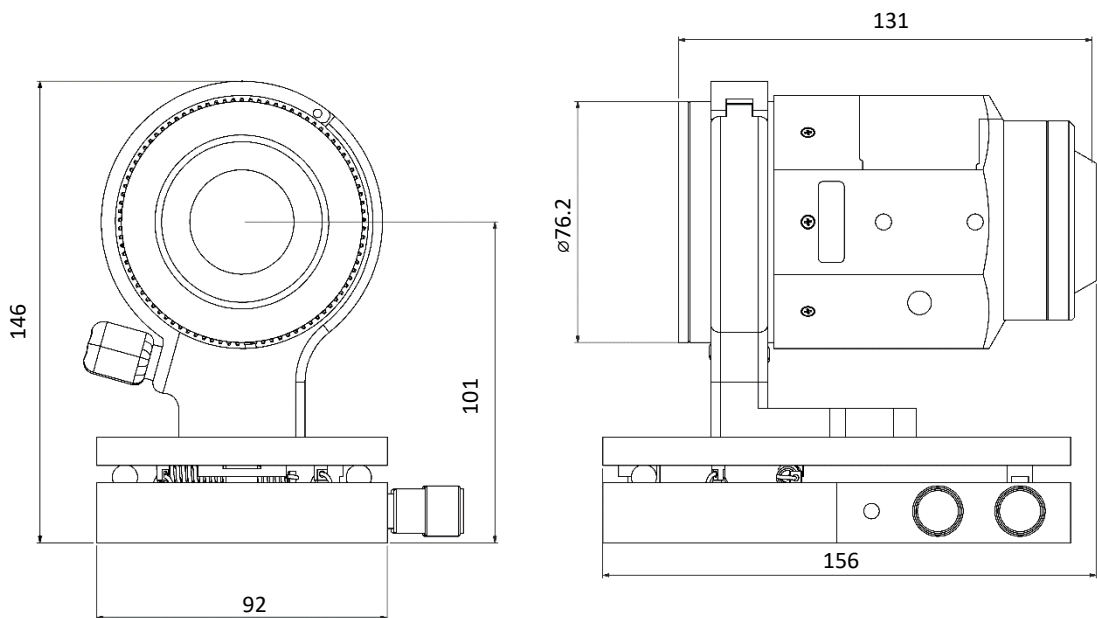
# AngleMeter LA

Monitoring Laser Beam Deviations

## Complete Test Station - 25 mm Model



## Complete Test Station - 50 mm Model



Dimensions are in mm.

**Note:** The Holding Ring + Pan & Tilt Table shown are not included in the basic product configuration

## DUMA OPTRONICS LTD.

